



ADAPTIVE NETWORK

SOLUTIONS

... smarter wireless connectivity

AT-ANY900/2400

Developer Pin Assignment Information

2011-Sept-21
A.N. Solutions GmbH
Am Brauhaus 12
01099 Dresden



1 AT-ANY-Brick900/2400 Pinout

A.N.Solutions' product line contains one AT-ANY-BRICK board populated with one of the following different modules:

- AT-ANY900-1
- AT-ANY900-2
- AT-ANY900-3
- AT-ANY2400-1
- AT-ANY2400-2

Figure 1 shows a sketchy drawing of the board. The available signals are listed in Table 1. Please check the copper markings on top level next to the two 24 pin headers. If the text "P2" and "P3" are located there, your board is hardware revision 3, so the schematic in Figure 3 is relevant for you. Figure 1 is valid for revisions 1 and 2.

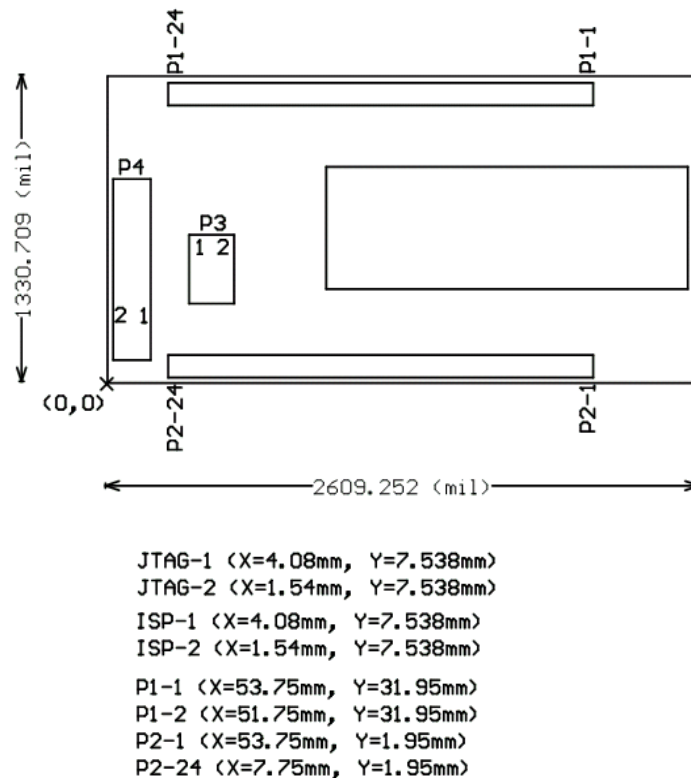


Figure 1 AT-ANYBRICK-900/2400 drawing

#Pin	Name Rev1/2	Name Rev3
P3-1	VCC	USART0_TXD
P3-2	USART0_TXD	VCC
P3-3	USART0_RXD	SCK
P3-4	SCK	USART0_RXD
P3-5	GND	RESET
P3-6	RESET	GND
P4-1	TCK	TCK



#Pin	Name Rev1/2	Name Rev3
P4-2	GND	GND
P4-3	TDO	TDO
P4-3	VCC	VCC
P4-5	TMS	TMS
P4-6	RESET	RESET
P4-7	NC	NC
P4-8	NC	NC
P4-9	TDI	TDI
P4-10	GND	GND

Table 1 JTAG/Misc header pin assignment

3 AT-ANY-900/2400 vs. ATMEGA1281V vs. AT-ANY-Brick

Atmega1281v	Module's pin number	Module's Pin name	Brick900/2400's Pin number
PB1	1	SCK	P1-2
PB3	2	DSO	P1-3
PB2	3	DSI	P1-4
PB5	4	GPIO0	P1-5
PB6	5	GPIO1	P1-6
PB7	6	GPIO2	P1-7
PC4	19	GPIO3	P1-20
PC5	20	GPIO4	P1-21
PC6	21	GPIO5	P1-22
PD6	17	GPIO6	P1-18
PD7	18	GPIO7	P1-19
PA0	41	GPIO8	P2-5
PE6	43	IRQ6	P2-3
PE7	42	IRQ7	P2-4
PG3	7	OSC32K_OUT	P1-8
XTALIN	10	CPU_CLK	P1-11
PD0	11	I2C_CLK	P1-12
PD1	12	I2C_DATA	P1-13
PD2	13	UART_TXD	P1-14
PD3	14	UART_RXD	P1-15
PD4	15	UART_RTS	P1-16
PD5	16	UART_CTS	P1-17
PF5	26	JTAG_TMS	P2-20
PF7	27	JTAG_TDI	P2-19



Atmega1281v	Module's pin number	Module's Pin name	Brick900/2400's Pin number
PF6	28	JTAG_TDO	P2-18
PF4	29	JTAG_TCK	P2-17
PF3	30	ADC_INPUT3	P2-16
PF2	31	ADC_INPUT2	P2-15
PF1	32	ADC_INPUT1	P1-14
PF0	33	ADC_INPUT0	P2-13
PG5	36	1WR	P2-10
PE4	37	UART_DTR	P2-9
PE0	38	USART0_RXD	P2-7
PE1	39	USART0_TXD	P2-8
PE2	40	USART0_EXTCLK	P2-6
Pin20	8	Reset	P1-9
GND	9,22,23,44,45,56,57	GND	P1-10, P1-23, P1-24, P2-1, P2-2, P2-23, P2-24
GND	35	AGND	P2-11
VDD	46,47,54,55	VDD_RF	<i>see VDD_D</i>
AVREF	34	AVREF	P2-12
VDD	24,25	VDD_D	P1-1, P2-21, P2-22

Table 2 Pin assignments

5 AT-ANY-BRICK-900/2400 Schematic

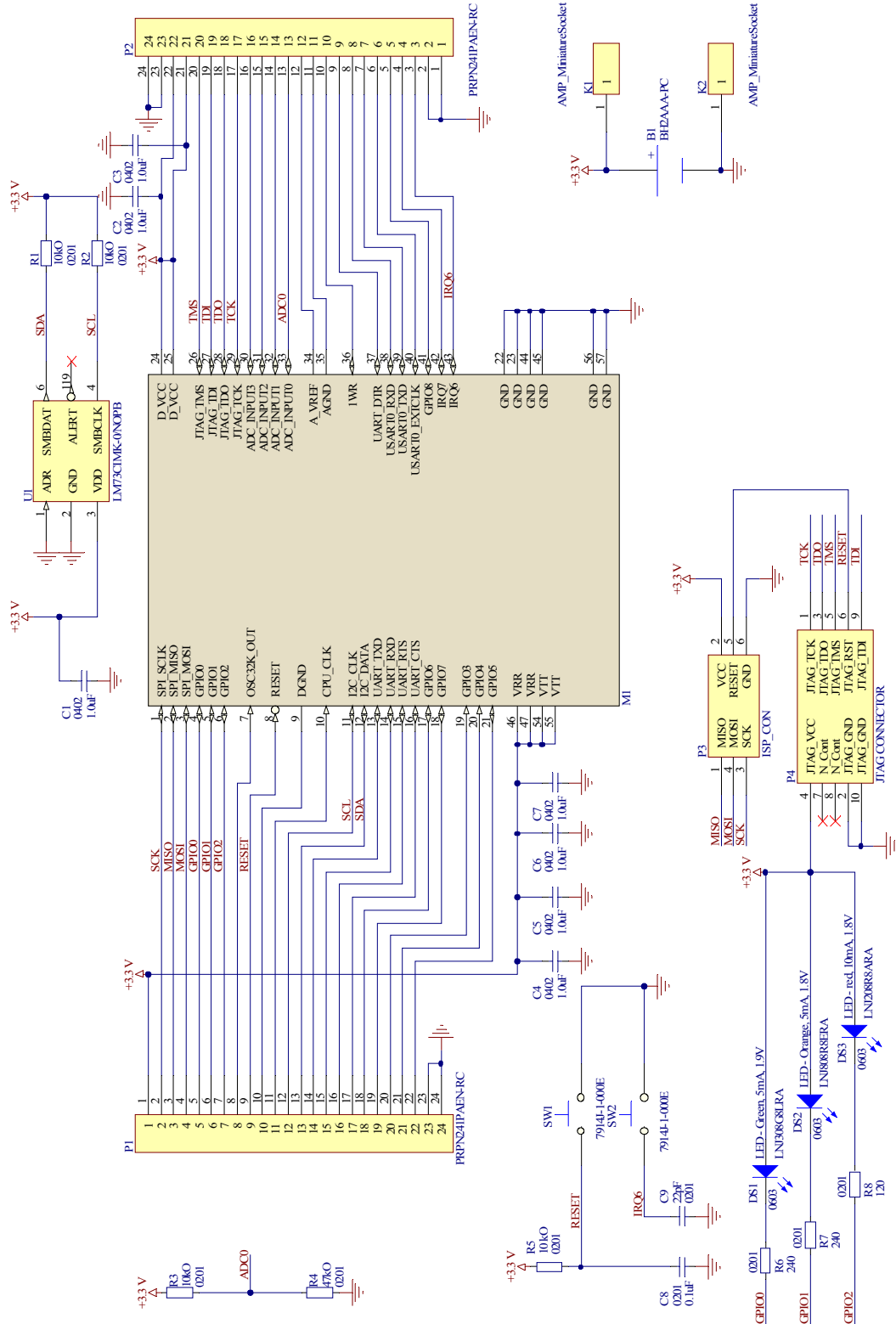


Figure 2 AT-ANY-BRICK-900/2400 Ref2 schematic

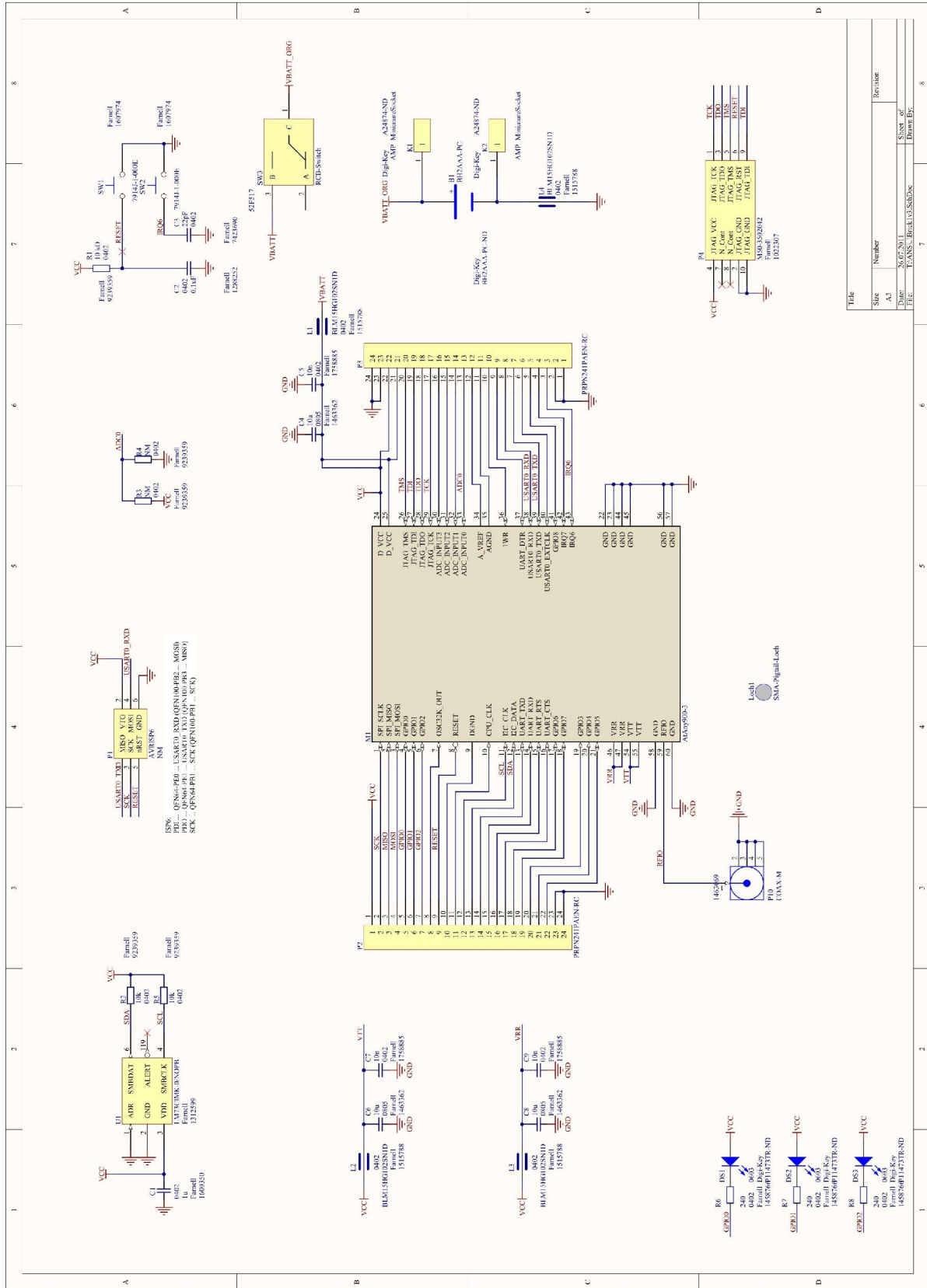


Figure 3 AT-ANY-BRICK-900/2400 Ref3 schematic



Disclaimer

A.N. Solutions believes that all information is correct and accurate at the time of issue. A.N. Solutions reserves the right to make changes to this product without prior notice. Please visit A.N. Solutions website for the latest available version.

A.N. Solutions does not assume any responsibility for the use of the described product or convey any license under its patent rights.

A.N. Solutions warrants performance of its hardware products to the specifications applicable at the time of sale in accordance with A.N. Solutions standard warranty. Testing and other quality control techniques are used to the extent A.N. Solutions deems necessary to support this warranty. Except where mandated by government requirements, testing of all parameters of each product is not necessarily performed.

Trademarks

AT-ANY, @ANY and related namings as well as A.N. Solutions logo are trademarks of A.N. Solutions GmbH. All other product names, trade names, trademarks, logos or service names are the property of their respective owners.

Technical Support

Technical support is provided by A.N. Solutions GmbH on demand and in accordance to service conditions agreed.

E-mail: support@an-solutions.de

Please refer to Support Terms and Conditions for full details.

Contact Information

A.N. Solutions GmbH

Am Brauhaus 12
01099, Dresden,
Germany
Tel: +49 351 8134 228
Fax: +49 351 8134 200

Office hours: 8:00am - 5:00pm (Central European Time)

© 2011 A.N. Solutions All rights reserved.

No part of the contents of this manual may be transmitted or reproduced in any form or by any means without the written permission of A.N. Solutions.